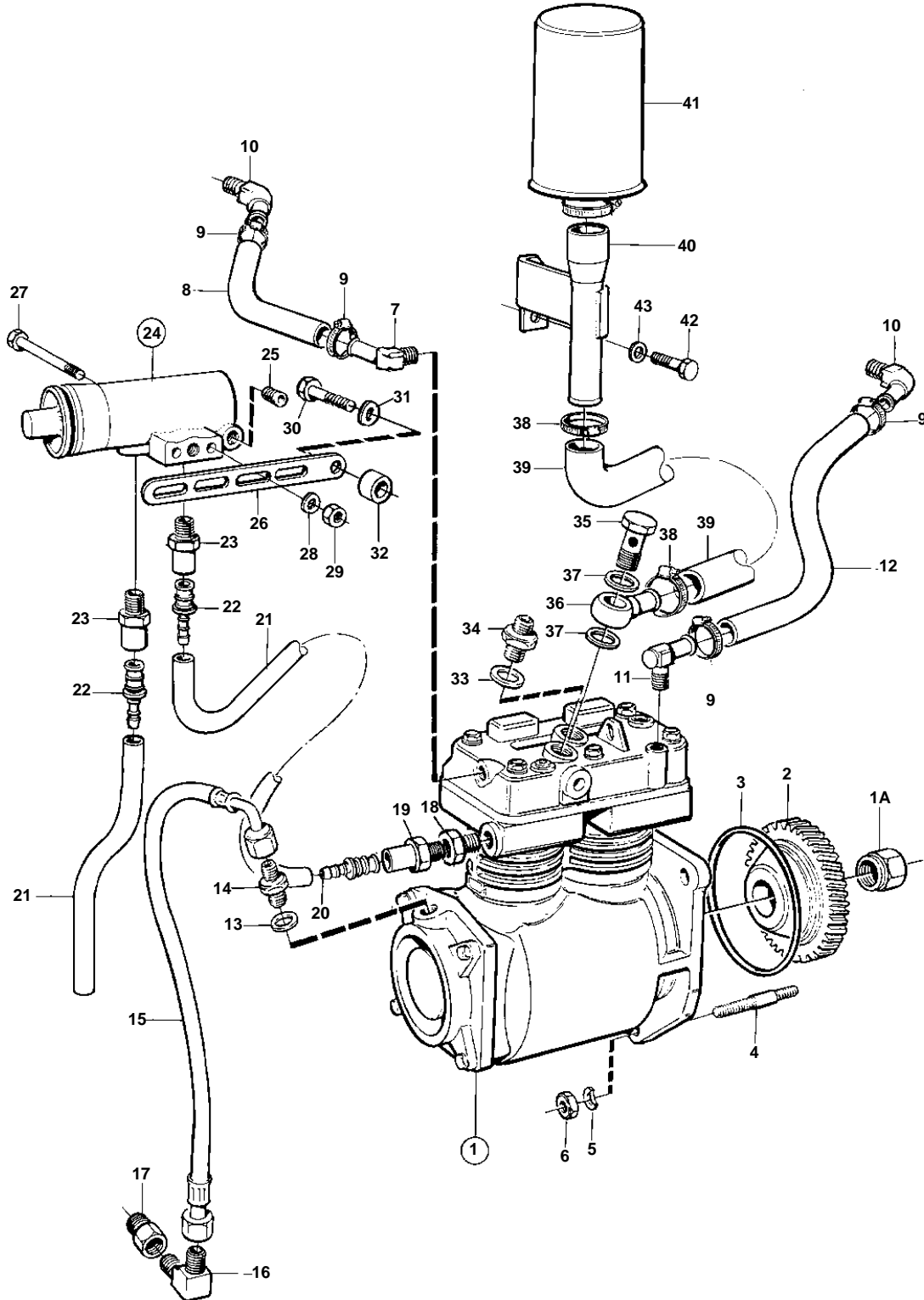


TWD1210P, TWD1211P



16033

TWD1210P, TWD1211P

REF	PART NO.	QTY	DESCRIPTION	SEE SEC.	NOTES
1	8150407	1	Compressor		
	3803262	1	Compressor, exch		Exchange unit
				1857	
1A	346918	1	· Nut		
2	478777	1	Gear		
3	975610	1	O-ring		
4	953346	3	Stud		
5	941911	3	Spring washer		
6	955828	3	Nut		
7	976553	1	Nipple		
8	946652	X	Hose		L=160mm
9	943472	4	Hose clamp		
10	479975	2	Nipple		
11	979270	1	Nipple		
12	946652	X	Hose		L=240mm
13	957173	1	Gasket		
14	963947	1	Nipple		
15	977651	1	Hose		
16	942376	1	Elbow nipple		
17	835980	1	Nipple		
18	966459	1	Nipple		
19	968696	1	Fitting		
20	976444	1	Fitting		
21	945460	X	Plastic pipe		
22	976444	2	Fitting		
23	968694	2	Fitting		
24	1505047	1	Regulator		Replaced by regulator 3944252 and 2 ea spacer washer 946048.
				1853	
25	968060	4	Plug		
26	965546	1	Bracket		
27	955529	2	Screw		
28	955894	2	Washer		
29	955826	2	Nut		
30	959794	2	Screw		
31	941907	2	Spring washer		
32	807257	2	Spacer sleeve		
33	947628	1	Gasket		
34	978281	1	Nipple		
35	191620	1	Hollow screw		
36	1598055	1	Nipple		
37	947628	2	Gasket		
38	943474	2	Hose clamp		
39	967553	X	Hose		L=270mm
40	1094583	1	Bracket		
41	8152010	1	Air filter		
42	955525	1	Screw		
43	955894	1	Washer		